

Mosquito Screens



GIMENEZ GANGA

®





By means of this catalogue we wish to inform our customers about all the different possibilities that our company have to adapt to the customer's needs. We also have at your disposal a wide range of mosquito screens for all kinds of doors and windows available on the market.



GIMENEZ GANGA

Index

Fix mosquito screen (window)	Pag.1
Sliding mosquito screen (window)	Pag.2
Rolling mosquito screen (window)	Pag.3
One leaf lateral rolling mosquito screen (door) -	Pag.4
Two leaves lateral rolling mosquito screen (door)	Pag.5
One leaf folding mosquito screen (door)	Pag.6
Two leaves folding mosquito screen (door) ..	Pag.7



Functionality and design to the service of the client



Fix mosquito screen

This mosquito screen stands out because of its confort and easy installation.

- Wide range of colours
- Low cost
- It does not need machinery cut for its manufacture

Fix screen made of aluminium and fiberglass



Its functional use is its main characteristic.

Sliding mosquito screen

The sliding mosquito screen is compatible with all european woodworks

- Wide range of colours
- Low cost
- It does not need machinery cut for its manufacture



Rolling (window)

Comfortable and practical system of closing

- Wide range of colours
- Assembly in compact system as directly to work
- Quick and easy assembly
- Transparent
- Strong
- Made in aluminium and fiberglass
- Available in exact measurement or quartering for its assembly

- Available in 3 sizes of boxes
32 mm. (screen of 140 cms.)
36 mm. (screen of 140 cms.)
43 mm. (screen of 180 cms.)
(screen of 240 cms.)



Magnetic lock with maximum confort

One leaf lateral **Rolling** mosquito screen

Available in 2 sizes
36 mm. (screen of 140 cms.)
43 mm. (screen of 180 cms.)
(screen of 240 cms.)

- Wide range of colours
- Assembly in compact system as directly to work
- Quick and easy assembly
- Transparent
- Strong
- Made in aluminium and fiberglass
- Available in exact measurement or quartering for its assembly
- Magnetic lock



Two leaves lateral **Rolling** mosquito screen **Adapting to its space**

- Wide range of colours
- Assembly in compact system as directly to work
- Quick and easy assembly
- Transparent
- Strong
- Made in aluminium and fiberglass
- Available in exact measurement or quartering for its assembly
- Magnetic lock
- Special to cover big opening

- Available in 2 sizes
- 36 mm. (screen of 140 cms.)
- 43 mm. (screen of 180 cms.)
- (screen of 240 cms.)



One leaf **Folding** mosquito screen

Comfortable system of opening

- Model ECO : without frame
- Model ELITE : with frame
- Magnetic lock
- It is supply in standar size kits for its later assembly
- Quick and easy assembly
- Ideal for areas with general crossing

Size of kits: 230 x 100
250 x 100



Two leaves **Folding** mosquito screen **Standard Kit to make easy its assembly**

- Model ECO: without frame
- Model ELITE: with frame
- Magnetic lock
- It is supply in standar size kits for its later assembly
- Quick and easy assembly
- Ideal for areas with general crossing

Size of kits: 230 x 150
250 x 180

Quartering

Rolling mosquito screen	Pag.9
Rolling mosquito screen (window)	Pag.10
Rolling mosquito screen (double window)	Pag.11
Single door rolling mosquito screen	Pag.12
Double door rolling mosquito screen	Pag.13
Detail of intermediate-stop	Pag.14
Fix mosquito screen.....	Pag.15
Sliding mosquito screen	Pag.16
One leaf folding mosquito screen Eco (Door)	Pag.17
One leaf folding mosquito screen Elite (Door)	Pag.18
Two leaves folding mosquito screen Elite (Door)	Pag.19



Quartering rolling mosquito screen

BOX WITH TERMINAL PROFILE AND SCREEN SOLDERED



WIND PREVENTING PLUSH

LOWER GUIDE

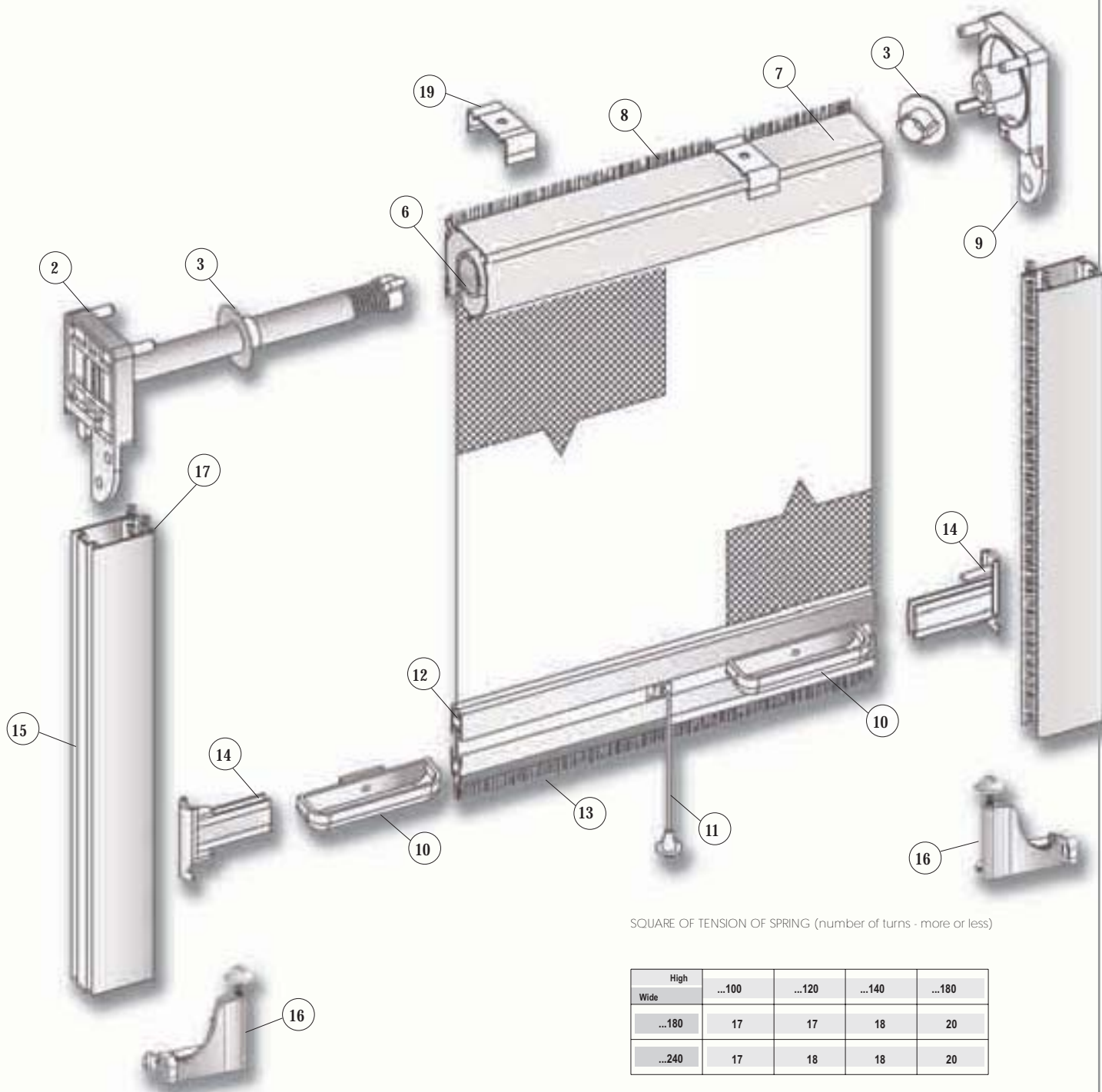
LATERAL GUIDE

MAGNETIC STRIP
(POSITIVE AND NEGATIVE)

SET OF ACCESSORIES (KIT)



Rolling mosquito screen (window)



SQUARE OF TENSION OF SPRING (number of turns - more or less)

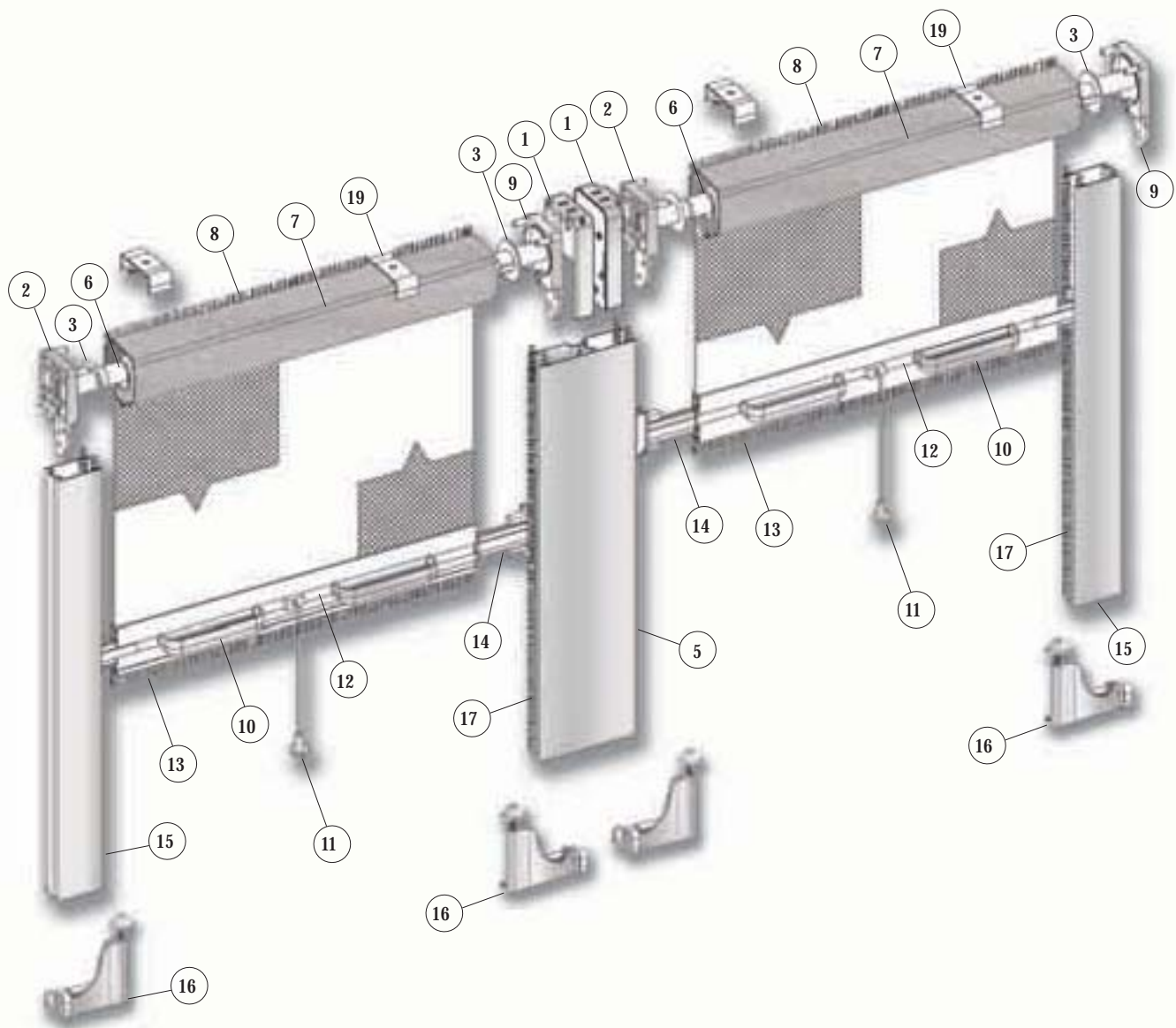
High	...100	...120	...140	...180
Wide				
...180	17	17	18	20
...240	17	18	18	20

* In situations with a lot of wind more tension of spring is recommended.

Id.	COMPONENT	Ud.
2	End of cap with spring	1
3	Ball bearing of spring	2
6	Axle with screen	1
7	Box profile	1
8	Plush of box profile and guide	3
9	End of cap without spring	1
10	Handle	2
11	Handle of string	1

Id.	COMPONENT	Ud.
12	Terminal profile	1
13	Terminal push	1
14	Top of terminal profile	2
15	Guide of mosquito screen	2
16	Coupling terminal profile	2
17	Wind preventing push	2
19	Inox support	2

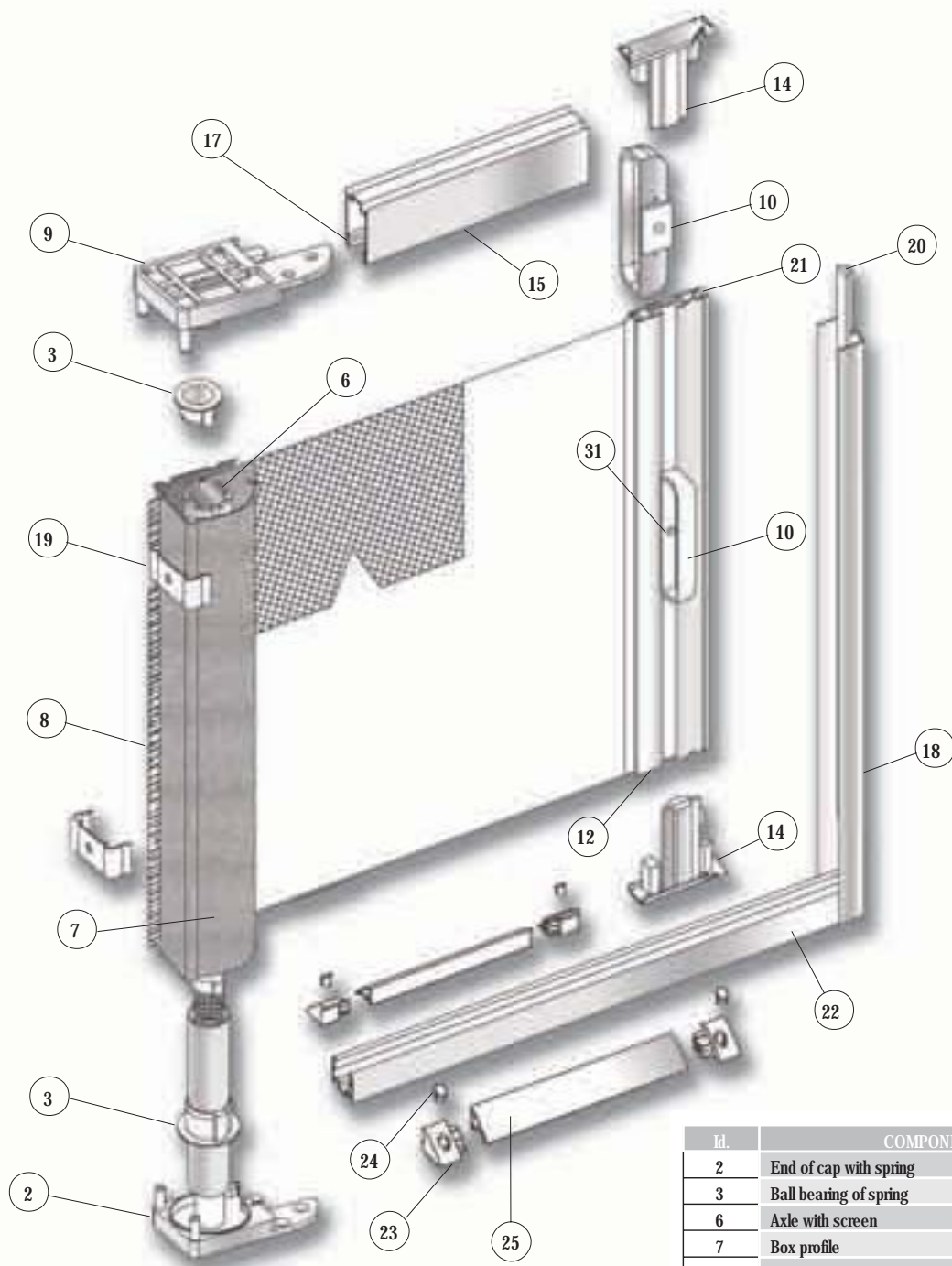
Rolling mosquito screen (double window)



Id.	COMPONENTS	Ud.
1	Central end of cap	1 jgo.
2	End of cap with spring	2
3	Ball bearing of spring	4
5	Double guide	1
6	Axle with screen	2
7	Box profile	2
8	Plush of box profile and guide	6
9	End of cap without spring	2
10	Handle	4

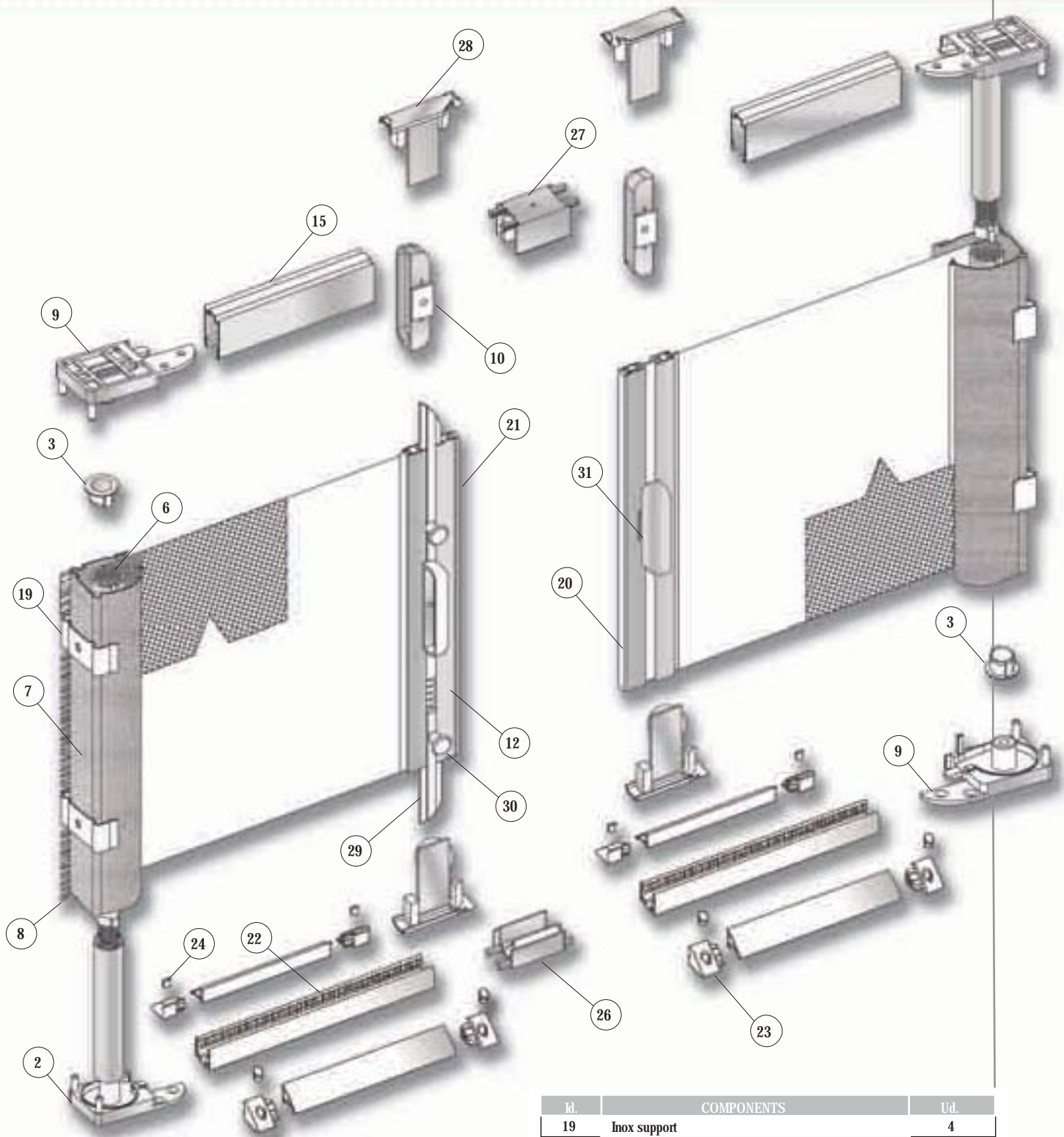
Id.	COMPONENTE	Ud.
11	Handle of string	2
12	Terminal profile	2
13	Terminal plush	2
14	Top of terminal profile	4
15	Guide of mosquito screen	2
16	Coupling terminal profile	4
17	Wind preventing plush	4
19	Inox support	4

Single door rolling mosquito screen



Id.	COMPONENTS	Ud.
2	End of cap with spring	1
3	Ball bearing of spring	2
6	Axle with screen	1
7	Box profile	1
8	Push of box profile and guide	4
9	End of cap without spring	1
10	Handle	2
12	Terminal profile	1
14	Top of terminal profile	2
15	Guide of mosquito screen	1
17	Wind preventing plus H	1
18	Lateral guide	1
19	Inox support	2
20	Positive magnet	1
21	Negative magnet	1
22	Lower guide	1
23	Opcional Top of incline profile	4
24	Opcional Trim of top of incline profile	4
25	Opcional Incline profile	2
31	Screw of handle	2

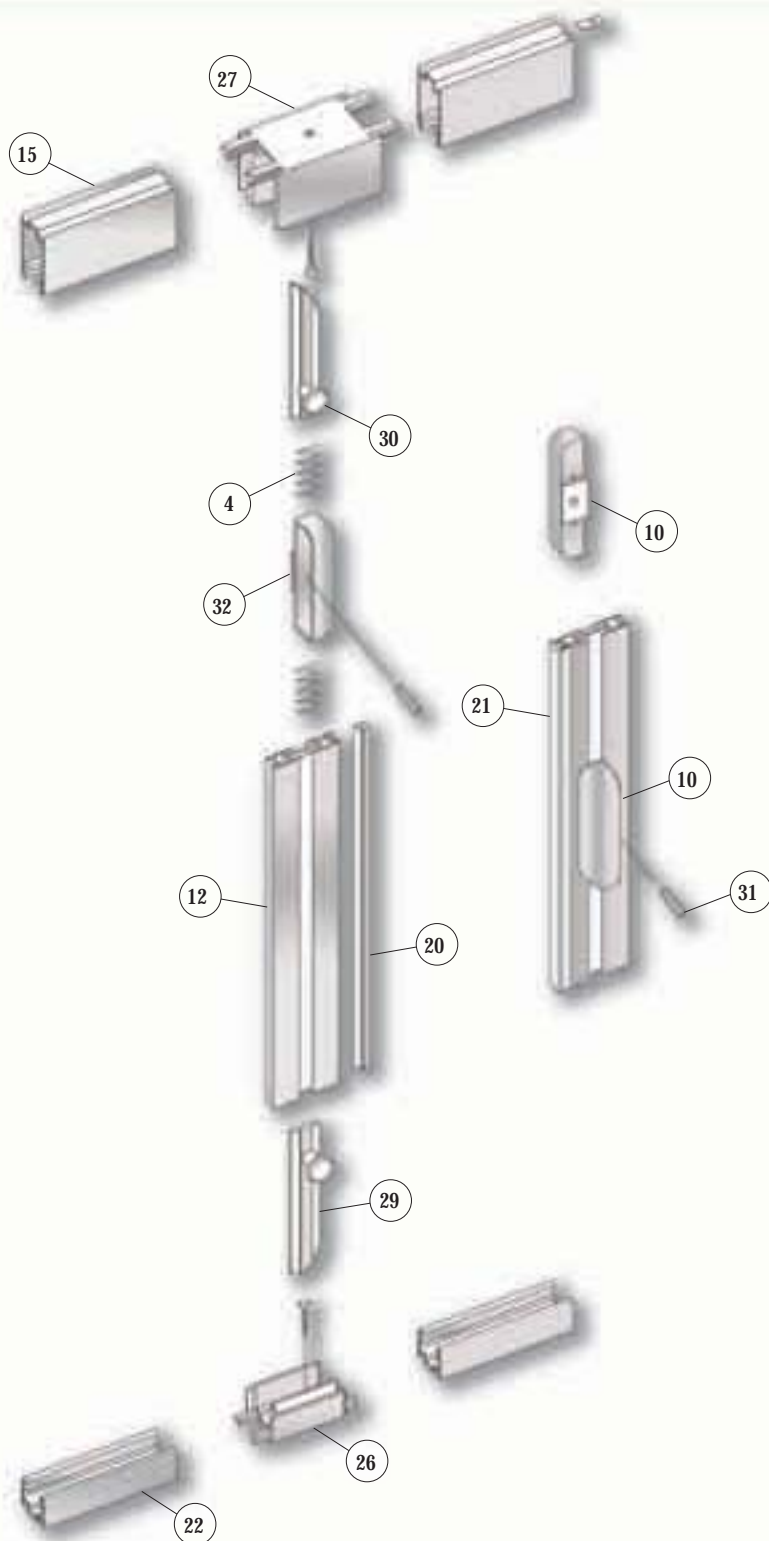
Double door rolling mosquito screen



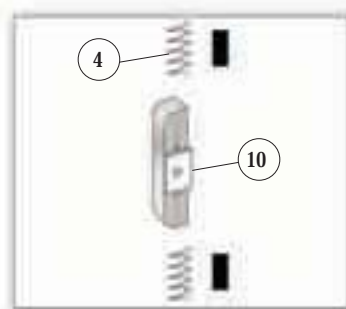
Id.	COMPONENTS	Ud.
2	End of cap with spring	2
3	Ball bearing of spring	4
6	Axle with screen	2
7	Box profile	2
8	Push of box profile and guide	5
9	End of cap without spring	2
10	Handle	4
12	Terminal profile	2
15	Guide of mosquito screen	1
17	Wind Preventing Push	1

Id.	COMPONENTS	Ud.
19	Inox support	4
20	Positive magnet	1
21	Negative magnet	1
22	Lower guide	1
23	Optional Top of incline profile	8
24	Opcional Trim of top of incline profile	8
25	Incline profile	2
26	Union of lower guide	1
27	Union of higher guide	1
28	Top of terminal profile	4
29	Vertical closure guide rails	2
30	Vertical closing guide rails for double door	2
31	Screw of handle	4

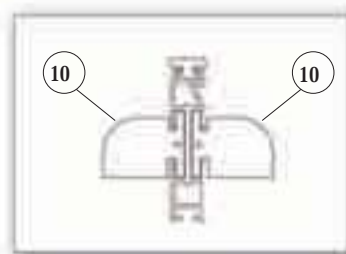
Detail of intermediate-stop



DETAIL OF UNION SPRING



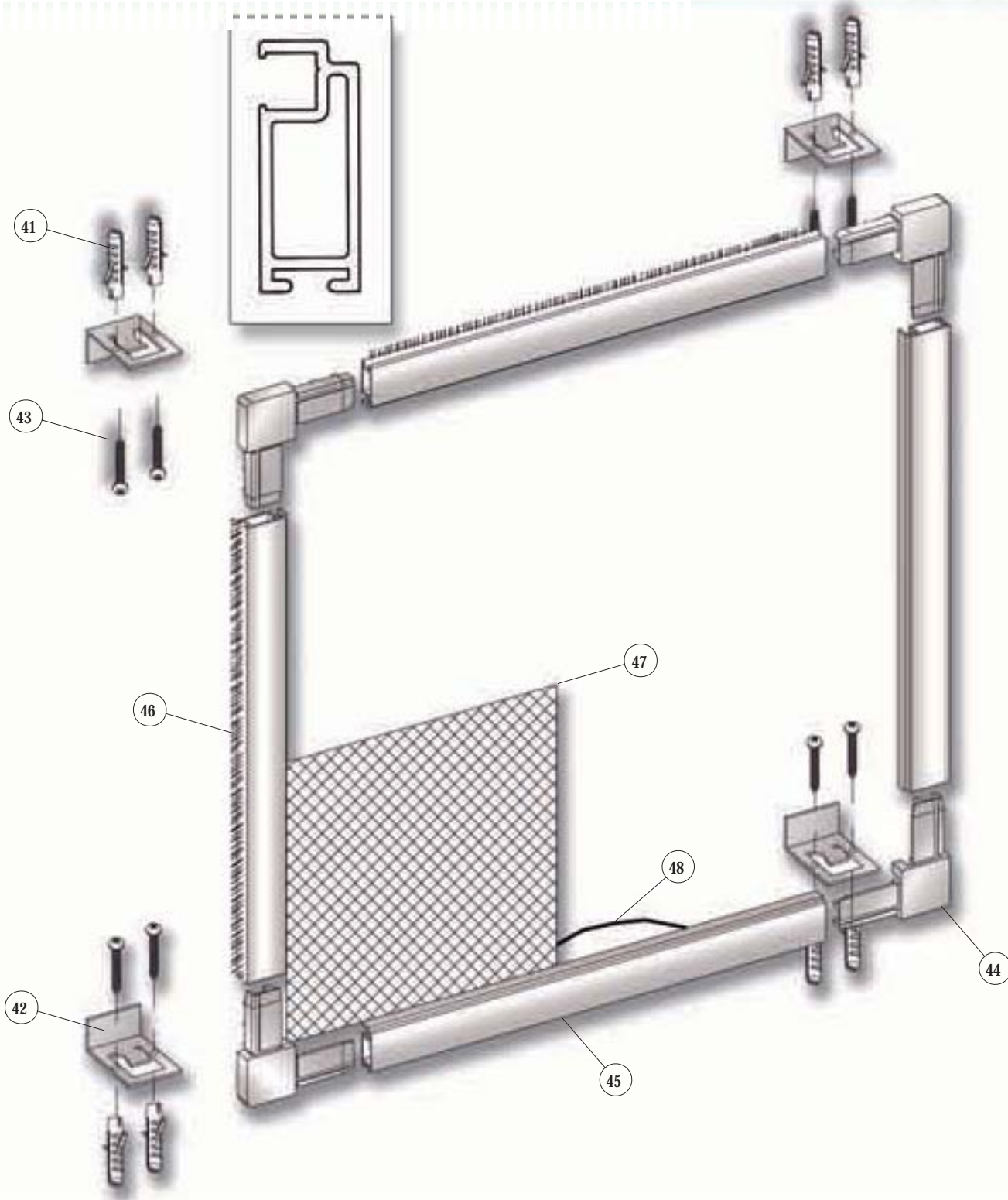
DETAIL OF HANDLE



Id.	COMPONENT	Ud.
4	Spring of intermediate-stop	2
10	Handle	4
12	Terminal profile	2
15	Guide of mosquito screen	1
20	Positive magnet	1
21	Negative magnet	1

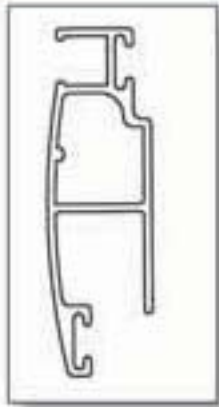
Id.	COMPONENT	Ud.
22	Lower guide	1
26	Union of lower guide	1
27	Union of higher guide	1
29	Vertical closure guide rails	2
30	Vertical closing guide rails for double door	2
31	Screw of handle	4

Fix mosquito screen



Id.	COMPONENT	Ud.
41	Plug (4 mm not incluye)	8
42	Plate stainless steel	4
43	It does not include screws (3,3 x 19)	8
44	Angle	4
45	Aluminium profile	4
46	Plush	...
47	Fiberglass	...
48	Neoprenrubber	...

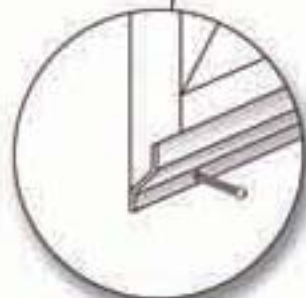
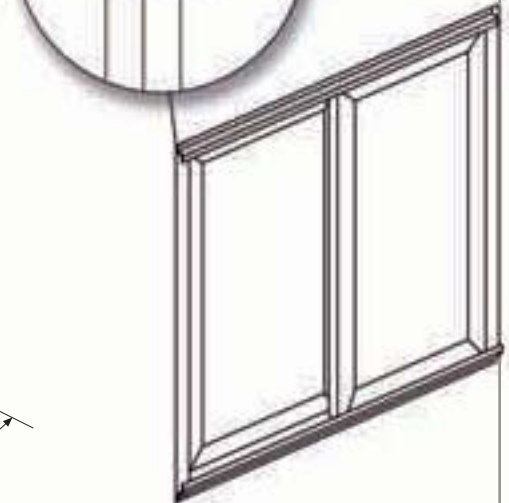
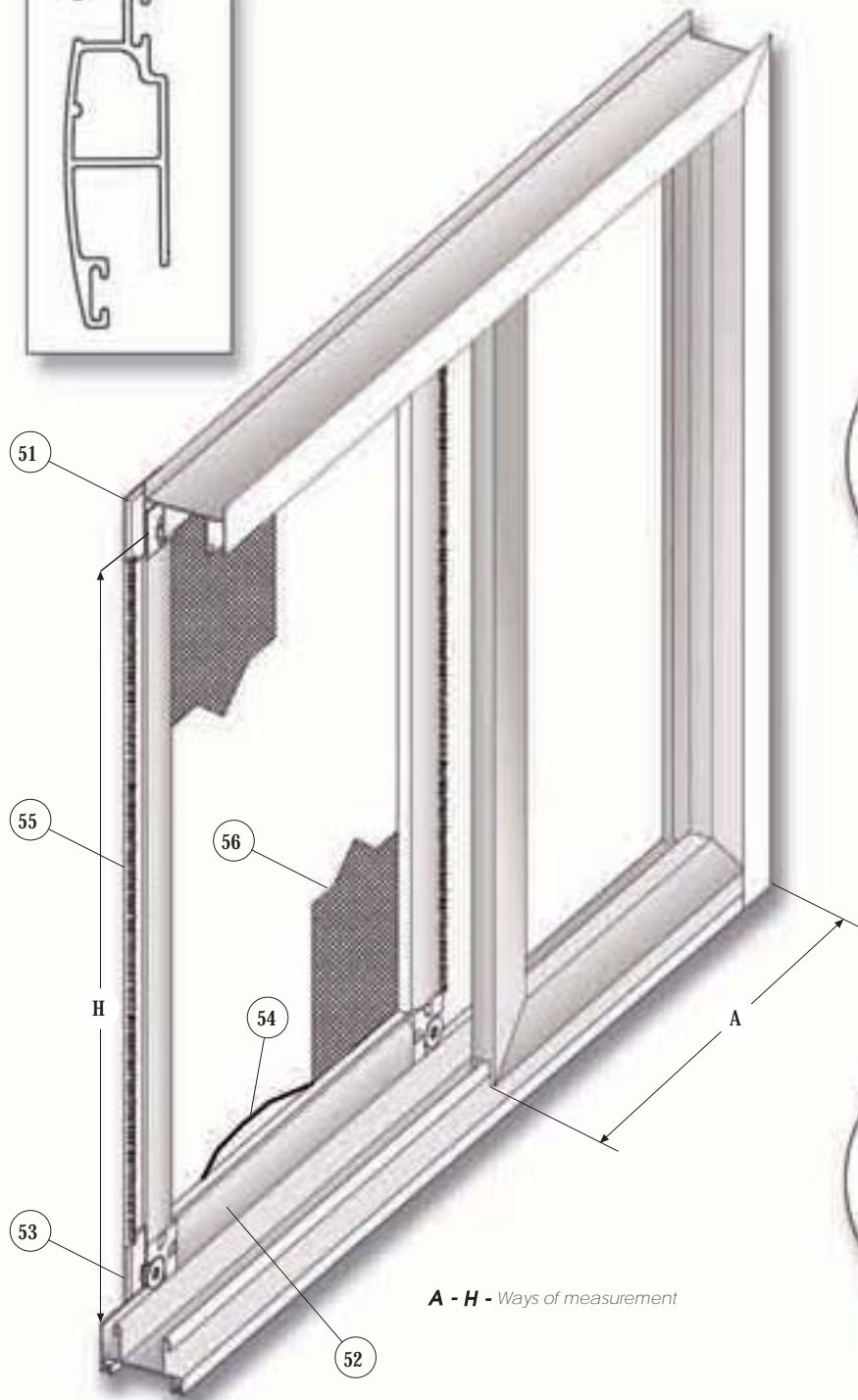
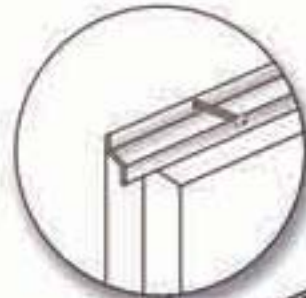
Sliding mosquito screen



ANGLE DETAIL INFERIOR



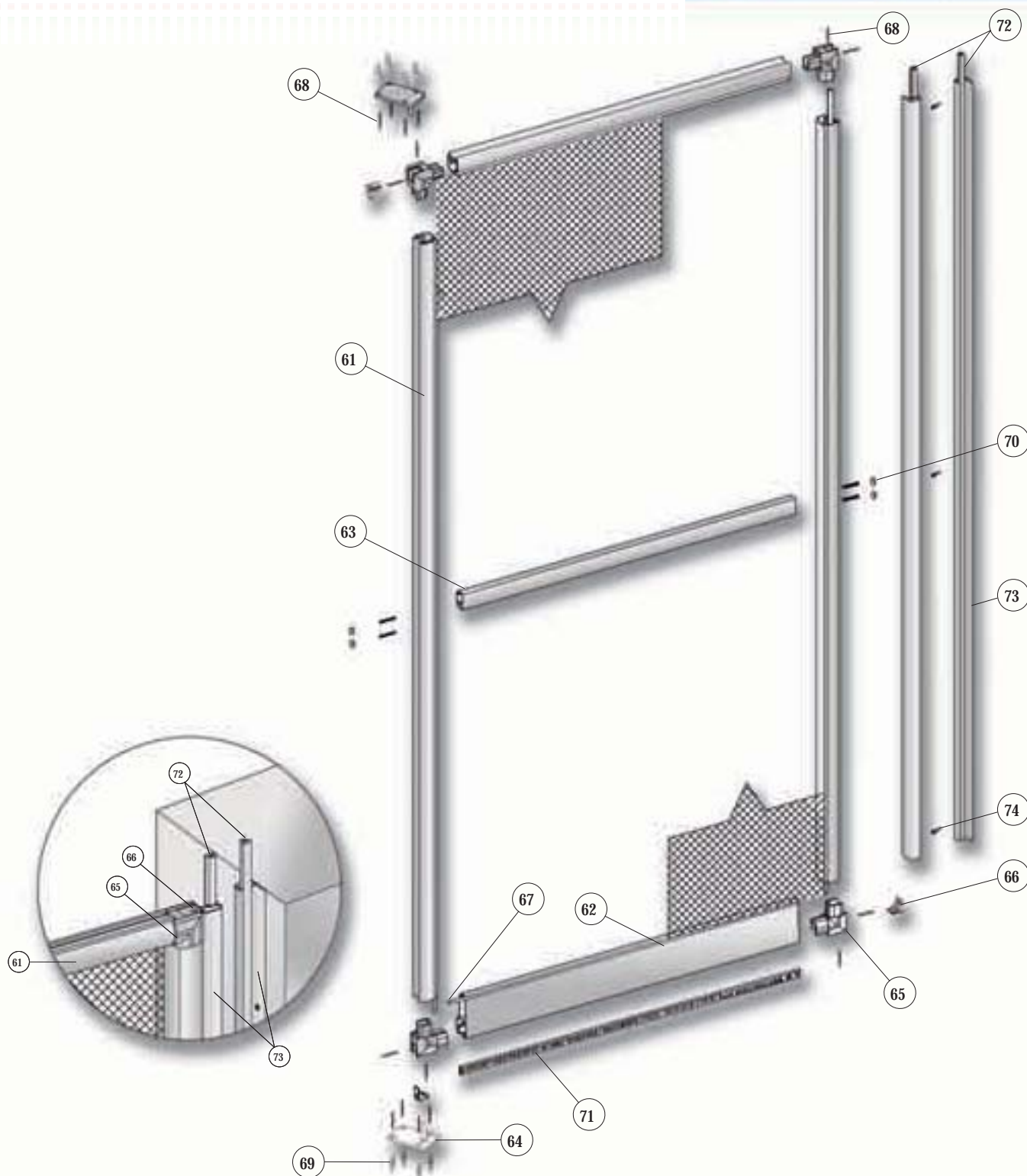
SLIDING PROFILE



A - H - Ways of measurement

Id.	COMPONENT	Ud.
51	Superior angle	2
52	Mosquito screen profile	4
53	Bottom angle	2
54	Black Neoprenrubber	...
55	Plush	...
56	Fiberglass	...

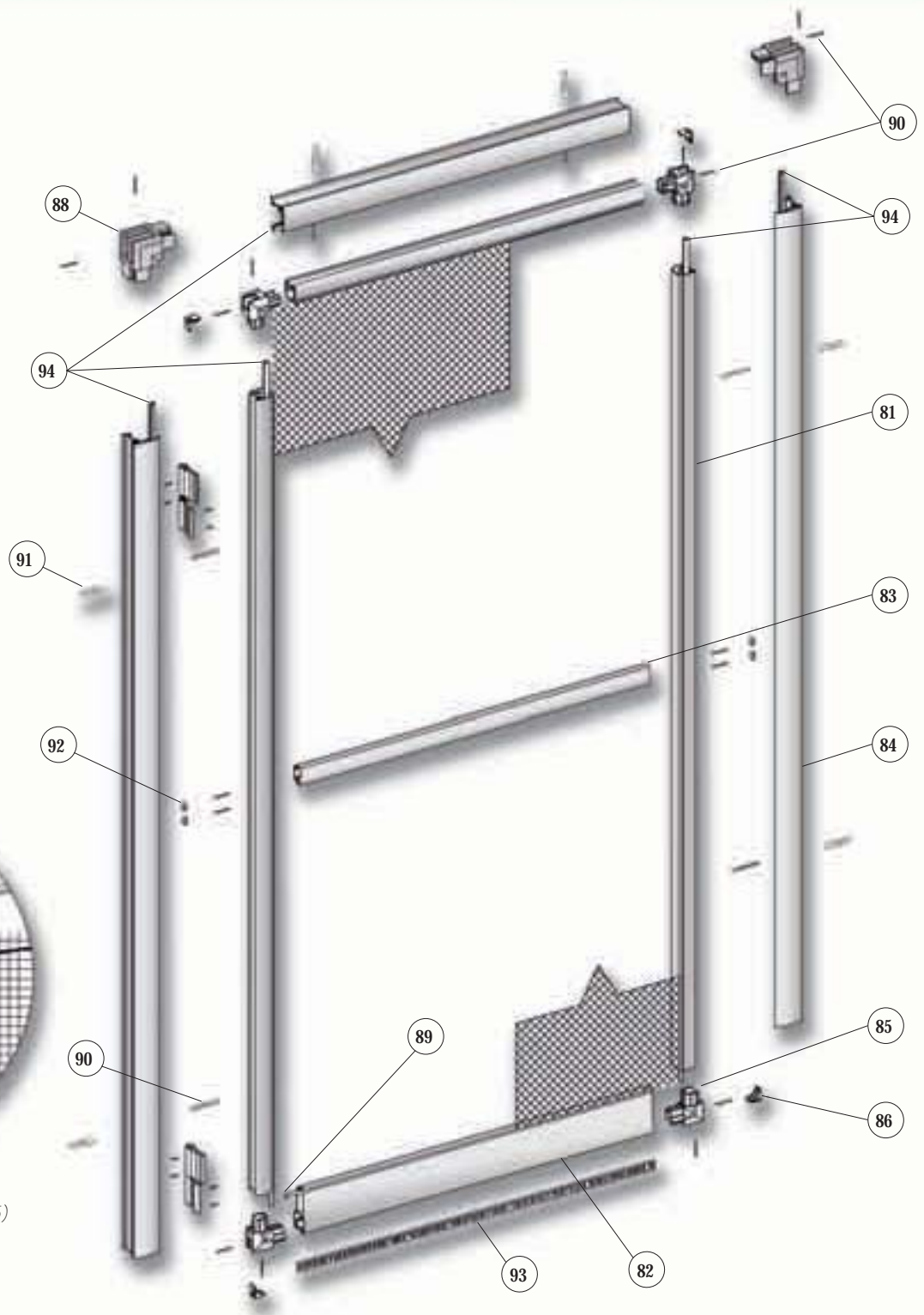
Eco 1 leaf mosquito screen (without frame)



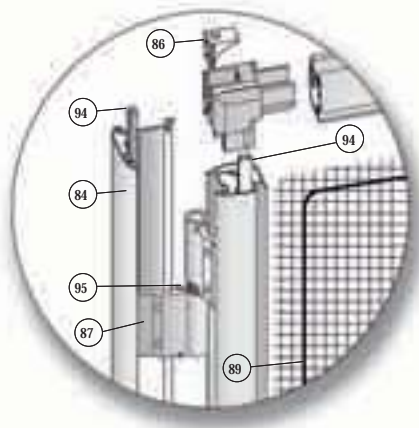
Id.	COMPONENT	Ud.
61	Door profile	3
62	Bottom profile	1
63	Intermediate profile	1
64	Hinge	2
65	Angle profile	4
66	Top square profile	4
67	Black Neoprenubber	...

Id.	COMPONENT	Ud.
68	Din 7505-a 4 x 30	25
69	Plug 5 x 25 mosquito screens guide	11
70	Cylindrical cap	6
71	Push 4.8X 20	3
72	Magnet strip	2
73	Cross profile	6
74	Clinch 4 x 12	3

Elite 1 leaf mosquito screen (with frame)



DETAIL OF HINGE



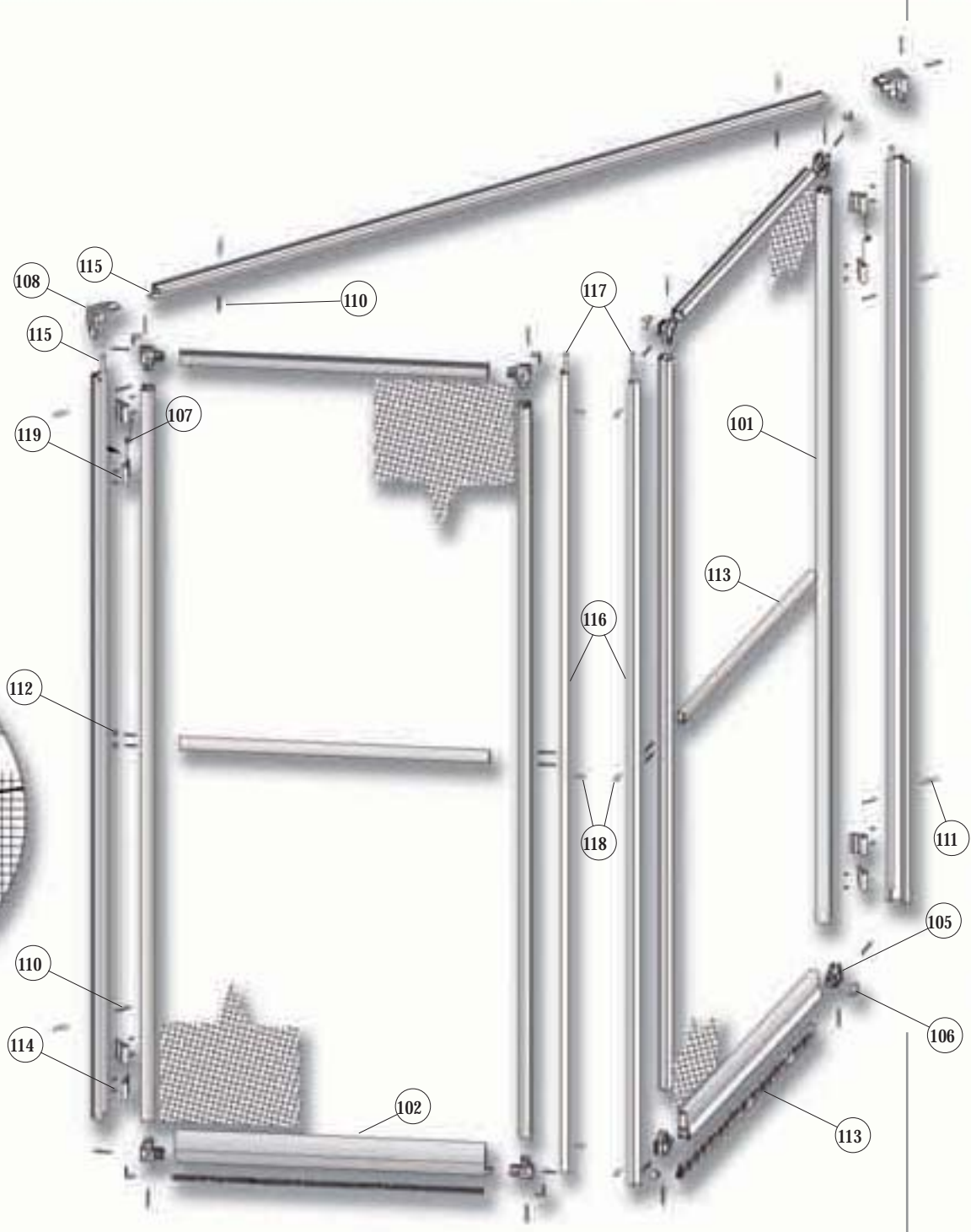
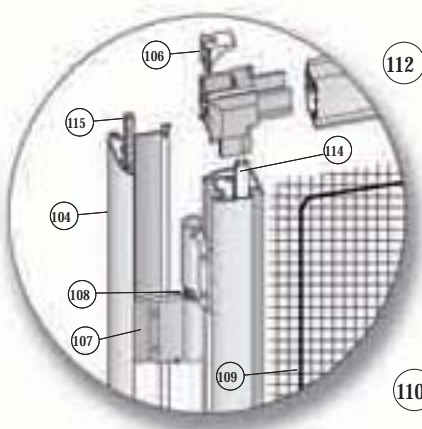
ONLY PUT THE HINGE SPRING (95)
ON THE SUPERIOR HINGE

Id.	COMPONENT	Ud.
81	Door profile	3
82	Bottom profile	1
83	Intermediate profile	1
84	Frame profile	1
85	Angle profile	4
86	Top square profile	4
87	Hinge	2
88	Square frame	2

Id.	COMPONENT	Ud.
89	Black Neoprenrubber	..
90	Din 7505-a 4 x 30	24
91	Plugs 4 x 25 mosquito screens guide	6
92	Cylindrical cap 11	6
93	Plush 4.8X 20	1
94	Magnet strip	6
95	Elite spring	1

Elite 2 leaves

DETAIL OF HIGLE



Id.	COMPONENT	Ud.
101	Door profile	6
102	Bottom profile	2
103	Intermediate profile	2
104	Frame profile	3
105	Angle profile	8
106	Top square profile	8
107	Hinge	4
108	Square frame	2
109	Black Neoprenrubber	...

Id.	COMPONENT	Ud.
110	Din 7505-a 4 x 30	39
111	Plugs 5 x 25 mosquito screens guide	7
112	Cylindrical Top 11	12
113	Push 4.8X 20	2
114	Din 914 M5 x 8	16
115	Magnet strip	7
116	Cross profile	2
117	Magnet strip	2
118	Clinch 4 x 12	6
119	Elite spring	2



®

GIMENEZ GANGA



GIMENEZ GANGA

Autovía de levante, km.42
03630-Sax (Alicante) ESPAÑA
Tlfnos: +34 965 474 050-965 474 205
Fax: 965 474 563
info@gimenezganga.com



OFICINA BARCELONA
Edifici Centre Serveis El Plá
C/. Plá, 166 despacho 13
08980 Sant Feliu Llobregat - BARCELONA
Tel.: 93 632 69 85
Fax: 93 632 69 86
barcelona@gimenezganga.com

www.gimenezganga.com